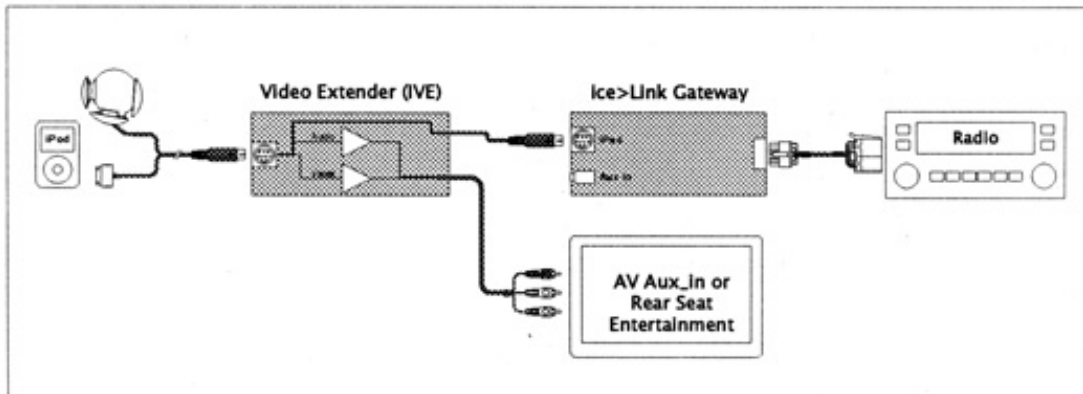


INSTRUCTIONS

IVE1000 is an optional accessory for the *ice>Link Gateway 100/300/500* devices to provide high quality Audio and Video signals for 5th Generation (Video) iPod's. The AV output of **IVE1000** can be connected to the car's infotainment system or any other equipment with standard AV input, such as a separate video display or a Rear Seat Entertainment System.

Installation steps:

- Connect the iPod Active Cradle or Dock Cable to **IVE1000**
- Connect **IVE1000**'s mini DIN plug to *ice>Link Gateway* OR to the optional *BTA1000* Bluetooth adapter if installed
- Connect the RCA AV plugs to the video system. Watch color codes when plugging the cables. Use good quality cable to avoid accidental disconnection caused by vibration.



Operation:

Switch *ice>Link Gateway* to 'iPod User Interface Mode' to play video. For detailed instructions see the Gateway User Manual. Enable TV output in the iPod's video settings menu to see playback on the external monitor.

Warning:

Do not allow the Apple iPod to distract you from driving! Operate the unit only when stationary or ask passengers to operate it for you. Neither Dension Audio Systems, its regional offices, distributors nor resellers accept any responsibility for any damage or injury as a result of using IVE1000 and Gateway products!

Exercise good judgment and keep your eyes on the road at all times!

Warranty:

The Dension IVE1000 carries one year in some markets warranty that protects you from defects in material and workmanship of products sold by Dension or its authorized distributors and resellers. **Dension recommends asking a professional installer to mount this product to your car.**

We do not warranty installation work or damage due to negligence, improper installation or operation.

For claims a proof of purchase is required.

If you need any assistance in using this product, please contact your supplier or visit <http://support.dension.com>.

Technical Data:

Size: 103 x 30 x 25 mm

Power supply: 10 -16 VDC

Active current: < 30 mA

Standby current: < 0.1 mA

Operating temperature : -40 to + 70 °C