

Last Updated : 2011.08.23

MODEL : QVL-MB08-MAIN-V8 / Product code : MB08-MAIN-V8-1003-000

MB08 V8

(W221, W204, W212)

Specification & Installation

Contents

1. Before installation

1.1 Features-----	3
1.2 System diagram-----	4
1.3 Components -----	5
1.4 Exterior -----	6

2. Setup

2.1 DIP switch -----	7
2.2 Remote control usage -----	8
2.3 Power cable -----	9
2.4 Setup for car model & navigation -----	10
2.5 Parking guide line -----	11
2.6.1 OSD (on screen display) -----	12
2.6.2 OSD (on screen display) -----	13
2.7 Switching Mode via CAN wire -----	14

3. Installation

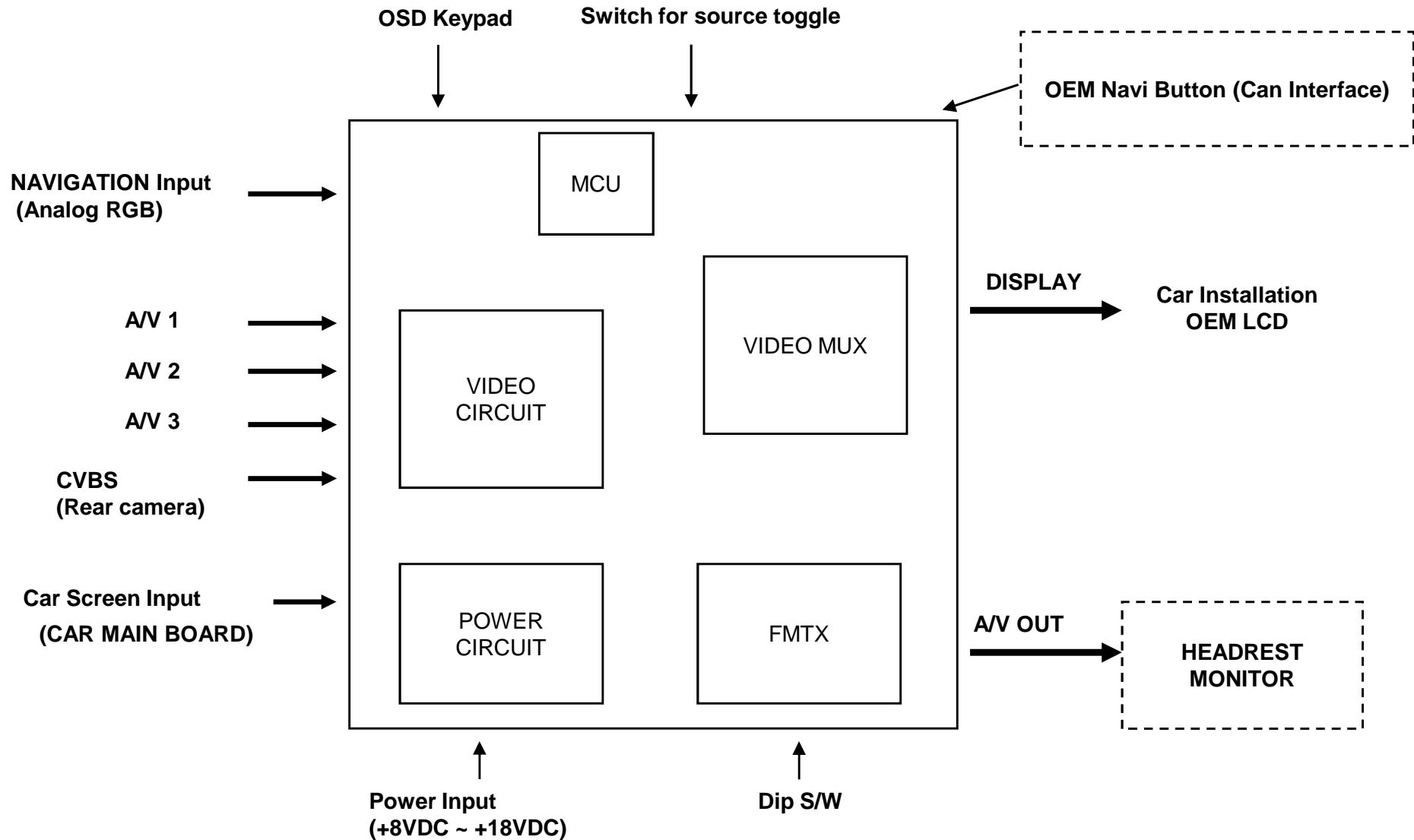
3.1 Cautions on installation -----	15
3.2 Installation diagram -----	16
3.3 Connection CAN wire -----	17
3.4 Installation -----	18

4. Troubleshooting -----	19
--------------------------	----

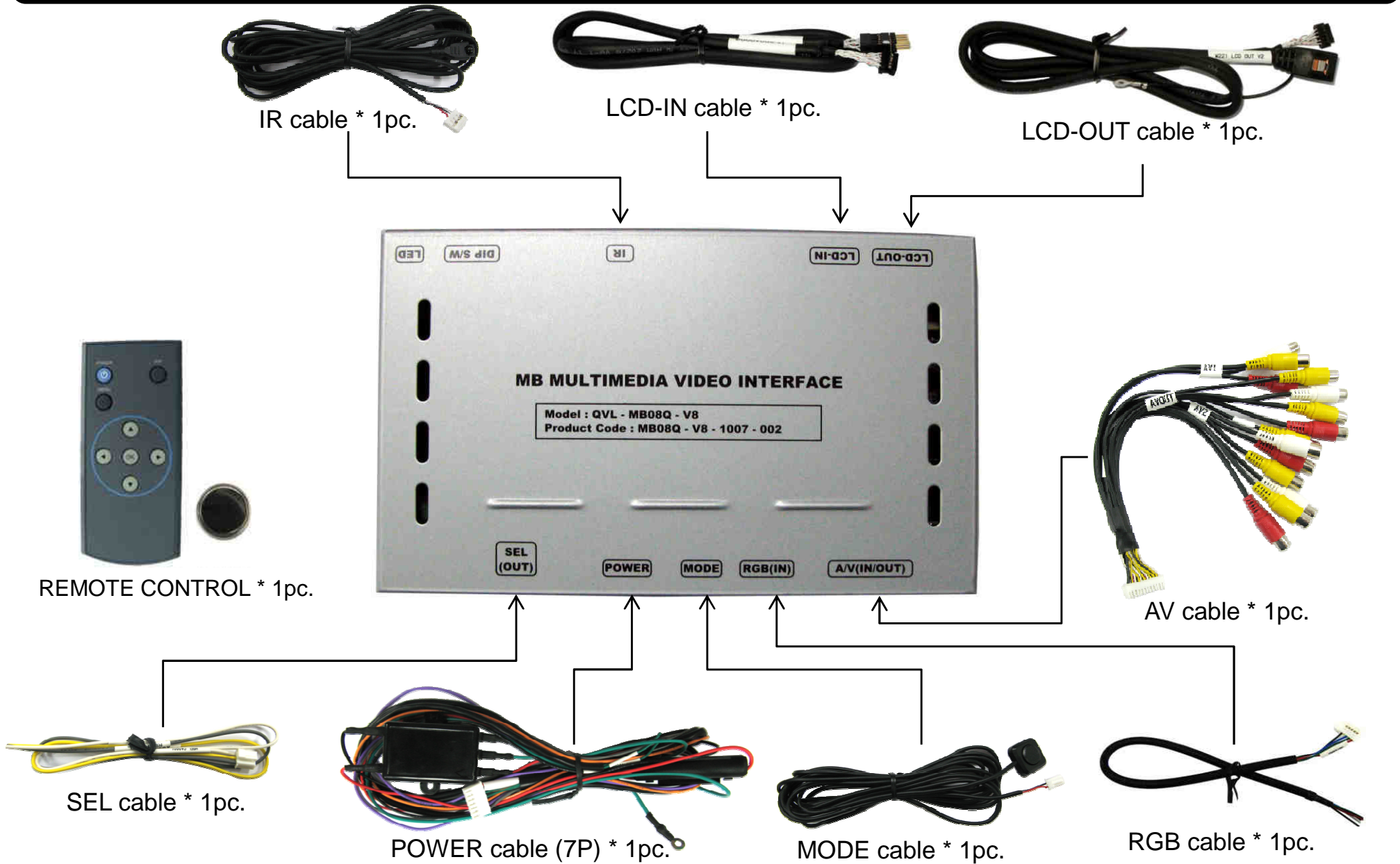
1.1 Features

- More convenience to install with plug & play (LVDS cable offered)
- Possible to move the displayed position of DVD, Navi
- Changed OSD MENU
- Possible to choose NAVI model (WQVGA, WVGA)
- S-Class(W221 8"), C-Class(W204 4", 7"), E-Class(W212 5.8", 7")

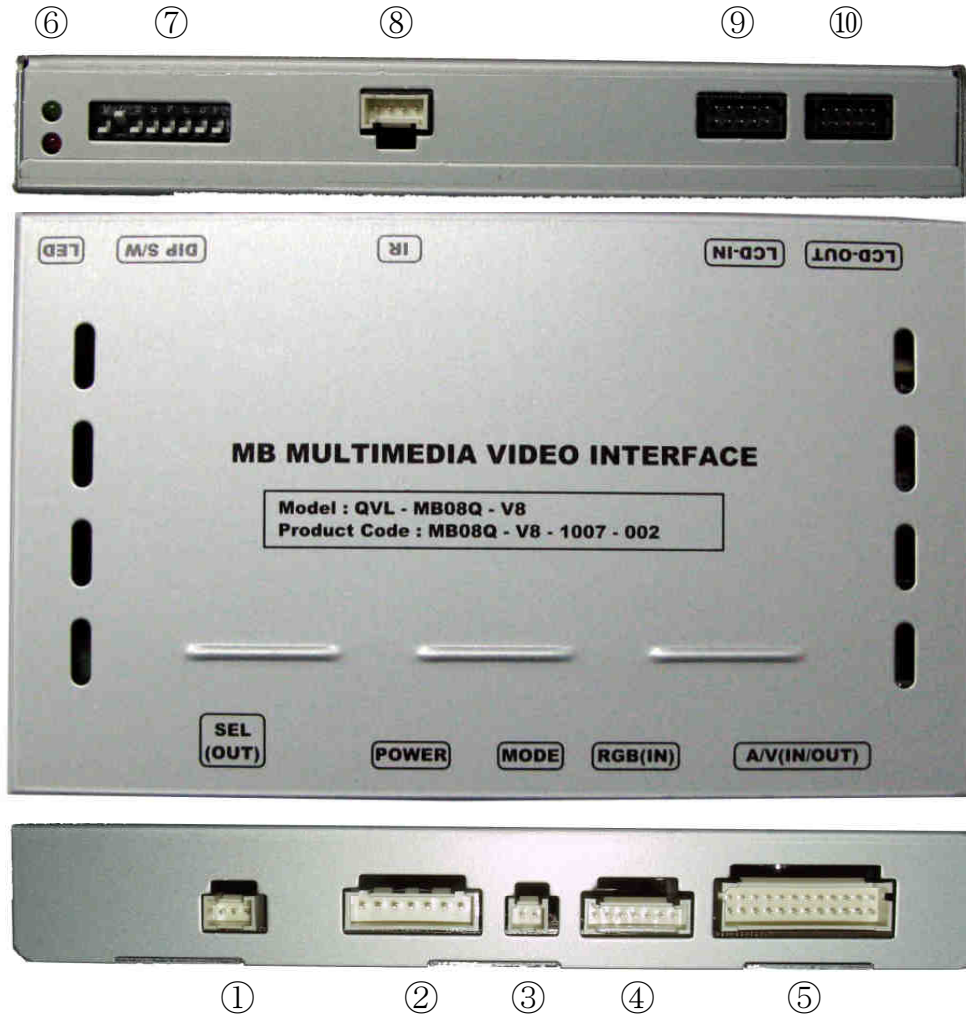
1.2 System diagram



1.3 Components



1.4 Exterior



Dimension

Horizontal length 153mm
Vertical length 90mm
Height 21mm

- ① SEL
- ② POWER
- ③ MODE
- ④ RGB(IN)
- ⑤ A/V (IN/OUT)
- ⑥ LED
- ⑦ DIP switch
- ⑧ IR
- ⑨ LCD-IN
- ⑩ LCD-OUT

2.1 DIP switch

DIP #	FUNCTION	DIP S/W Selection
1	RGB input	ON : RGB input is OFF OFF : RGB input is ON
2	A/V1 input	ON : A/V1 input is OFF OFF : A/V1 input is ON
3	A/V2 input	ON : A/V2 input is OFF OFF : A/V2 input is ON
4	A/V3 input	ON : A/V3 input is OFF OFF : A/V3 input is ON
5	Car Model	ON : New C-Class(W204,200,230,GLK) OFF : New S-Class(W221) New E-Class(W212)
6	MONITOR SIZE	ON : 7"; New E-Class 5,8" OFF : 5"; New E-Class 7" or 8"
7	REAR MODE	ON : External Rear Camera (REAR-C) OFF : OEM Rear Camera
8	OEM PICTURE	ON : OEM PICTURE is OFF OFF : OEM PICTURE is ON

❌ ON : DOWN / OFF : UP

Dip S/W setting by car models and Monitor Size



NEW E, S-Class(W212, W221) – 7", 8"
(FACTORY-UTIL-CAR MODEL-select W212(NEW-E)
(FACTORY-UTIL-CAR MODEL-select W221



E-Class(W212) – 5.8"



C-Class(W204) – 5"



C-Class(W204) – 7"

2.2 Remote control usage

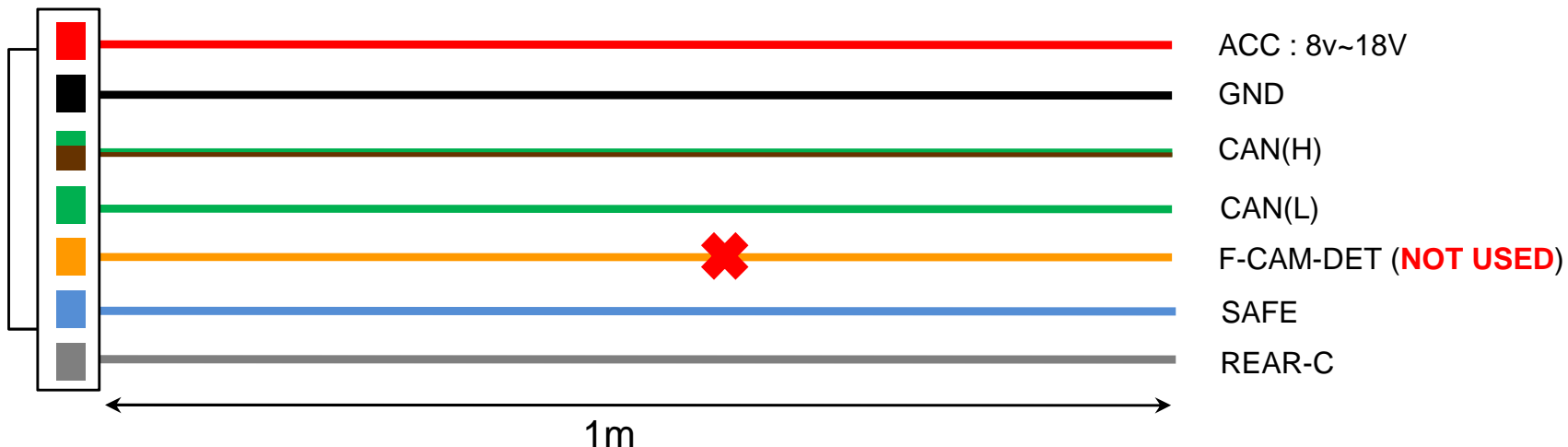
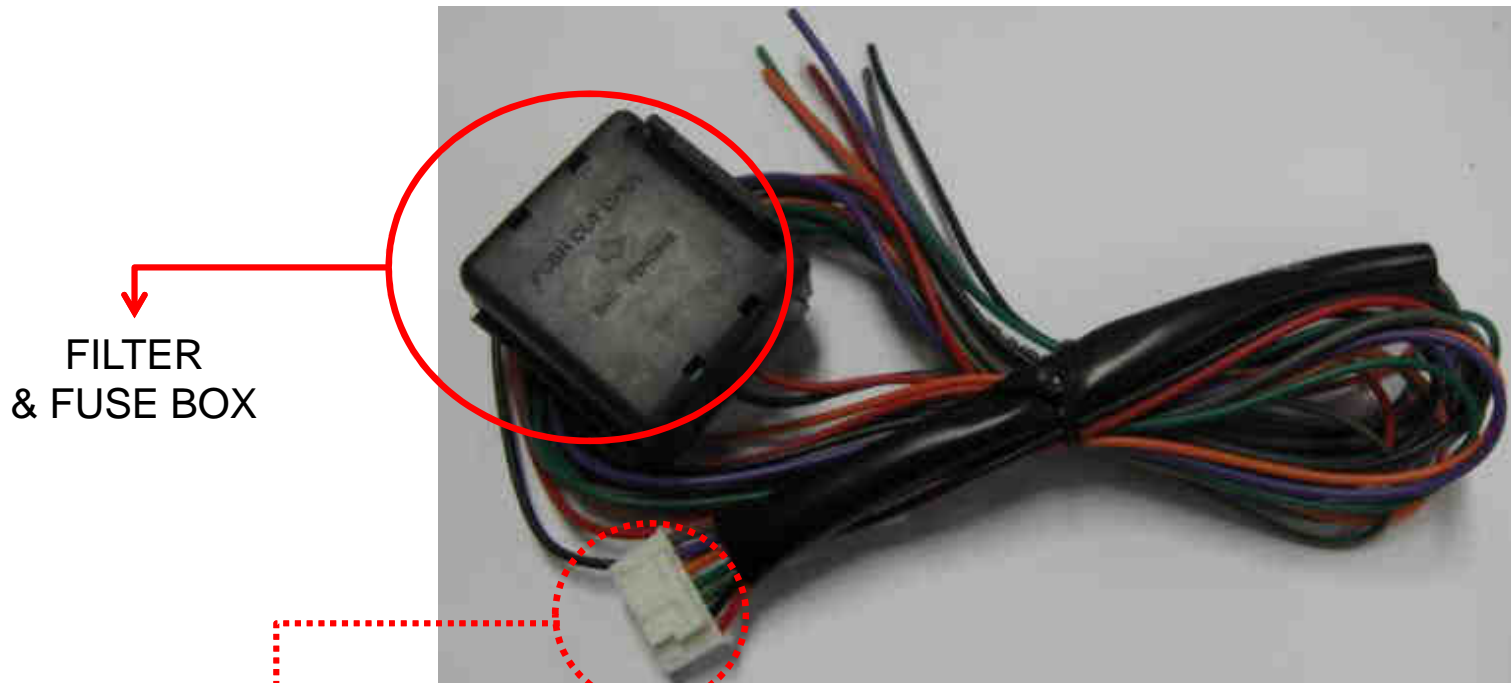
<i>Buttons</i>	<i>Function</i>
POWER & PIP	NOT USED
MENU	OSD Menu
OK	Making a selection in OSD Menu <i>(or changing source)</i>
▲	Moving UP
▼	Moving DOWN
◀	Moving LEFT <i>(or press this button 5 sec. - Factory mode.)</i>
▶	Moving RIGHT <i>(or press this button 2 sec. – Reset settings)</i>



***FACTORY MODE (Interface setting for installer)**

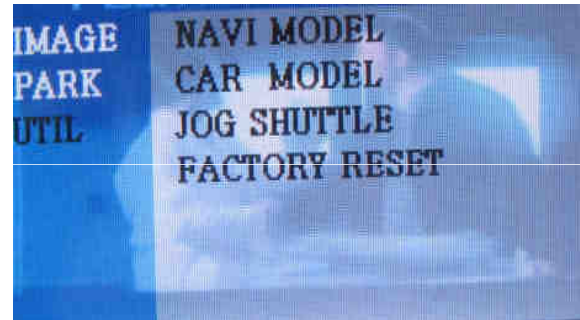
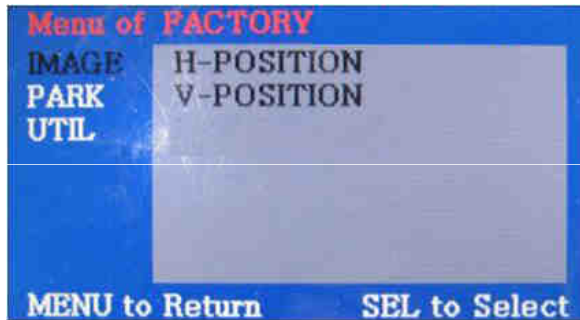
: Operated by pressing ▲ → ▼ → ▲ →MENU button or press ◀ more than 5seconds long on the remote controller.

2.3 POWER CABLE



2.4 Setup for car model & navigation

FACTORY mode – Press ◀ button 5 seconds long on the remote controller.



IMAGE

Adjusting the position of navigation

* H-POSITION

: moving in horizontal direction

* V-POSITION

: moving in vertical direction

UTIL - NAVI MODEL

Definition of the navigation

DEFAULT : 480 x 234

MYVI(WVGA) : 800 x 480

MD7000(WVGA): 800 x 480

KD-900(WVGA) : 800 x 480

UTIL -CAR MODEL

Selecting model of the car

W221 – S-Class(8”), C-Class(4”, 7”), E-Class(5.8”)

W212 (NEW-E) - NEW E-Class(7”)

UTIL - JOG SHUTTLE

: Control of DVD, CMMB, OSD menu ON/OFF setting.

UTIL- FACTORY RESET

: Initializing of all values of OSD setting.

(Impossible to reset of screen position, only possible for functions in OSD)

2.5 Parking guide line setting

FACTORY mode – Press ◀ button 5 seconds long on the remote controller.



PARK

- * PARK ENABLE : Selecting whether to display the parking guide line or not on rear gear (default : OFF)
- * PARK SETUP : Adjusting the position of the parking guide line (available in PARK SETUP -> V-POSITION, H-POSITION)
- * SAFE ENABLE : Setting for displays when driving.
ENABLE – OEM Picture displays
DISABLE – No displays



PARK - ENABLE

- If you set 'PARK ENABLE' as "ON" state, there will be the rear view parking guide line. (as shown left picture)
- Press the OK button of remote controller, "H_POS" will be shown on the right and control moving in horizontal direction.

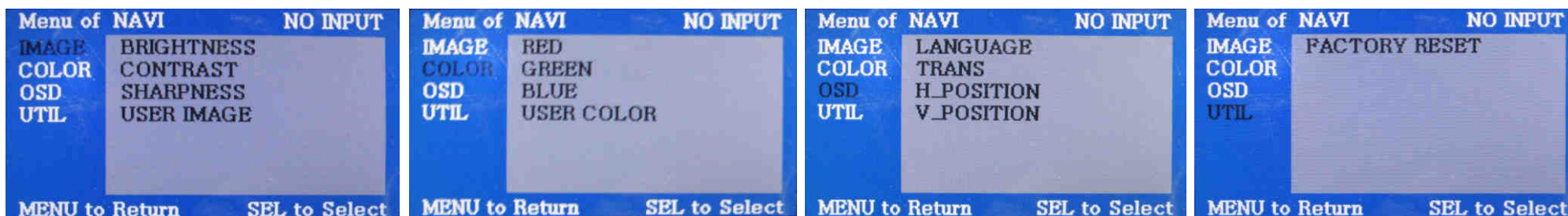


PARK - ENABLE

- Press the OK button of remote controller one more, "V_POS" will be shown on the right and control moving in vertical direction.

2.6.1 OSD (on screen display)

Analog RGB Mode



IMAGE

- * BRIGHTNESS
- * CONTRAST
- * SHARPNESS
- * USER IMAGE
: Selecting one among
4 color options.

COLOR

- * RED : Adjusting red
- * GREEN : Adjusting green
- * BLUE : Adjusting blue
- * USER COLOR
: Selecting a color option
among set color options

OSD

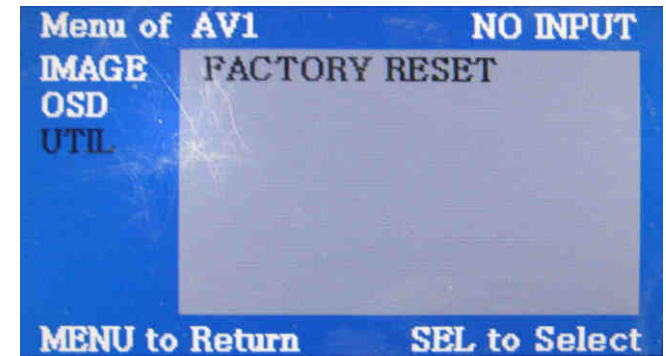
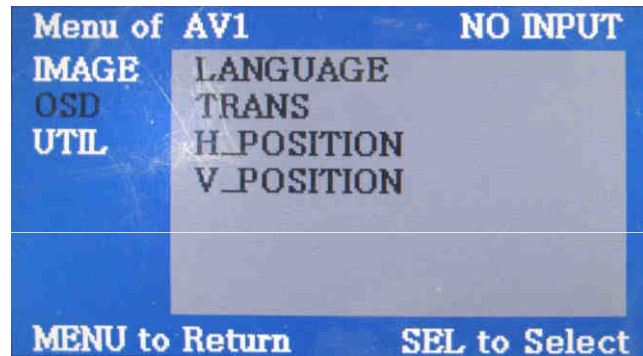
- * LANGUAGE : Choosing
interface language while
changing mode between A/V
and DVD
- * TRANS : Adjusting
transparency of OSD
- * H_POSITION,
V_POSITION : Positioning
OSD menu

UTIL

- * FACTORY RESET :
Resetting all the data about
the relevant mode that
applicable to navigation,
DVD mode respectively.
(Impossible to reset of
screen position, only
available for color, OSD
setting)

2.6.2 OSD (on screen display)

Video mode



IMAGE

- * BRIGHTNESS
- * CONTRAST
- * SATURATION
- * HUE
- * SHARPNESS
- * USER IMAGE
: Selecting one among 4 color options.

OSD

- * LANGUAGE : Choosing interface language while changing mode between A/V and DVD
- * TRANS : Adjusting transparency of OSD
- * H-POSITION
: moving in horizontal direction
- * V-POSITION
: moving in vertical direction

UTIL

- * FACTORY RESET : Resetting all the data about the relevant mode that applicable to navigation, DVD mode respectively.
(Impossible to reset of screen position, only available for color, OSD setting)

2.7 Switching mode via CAN wire

After wiring CAN of the car with offered CAN cable, you can switch A/V mode by the Factory button as below.



W221 8”(NEW S-Class) :

Switching Mode by “Navi/Tel” Button as shown left.

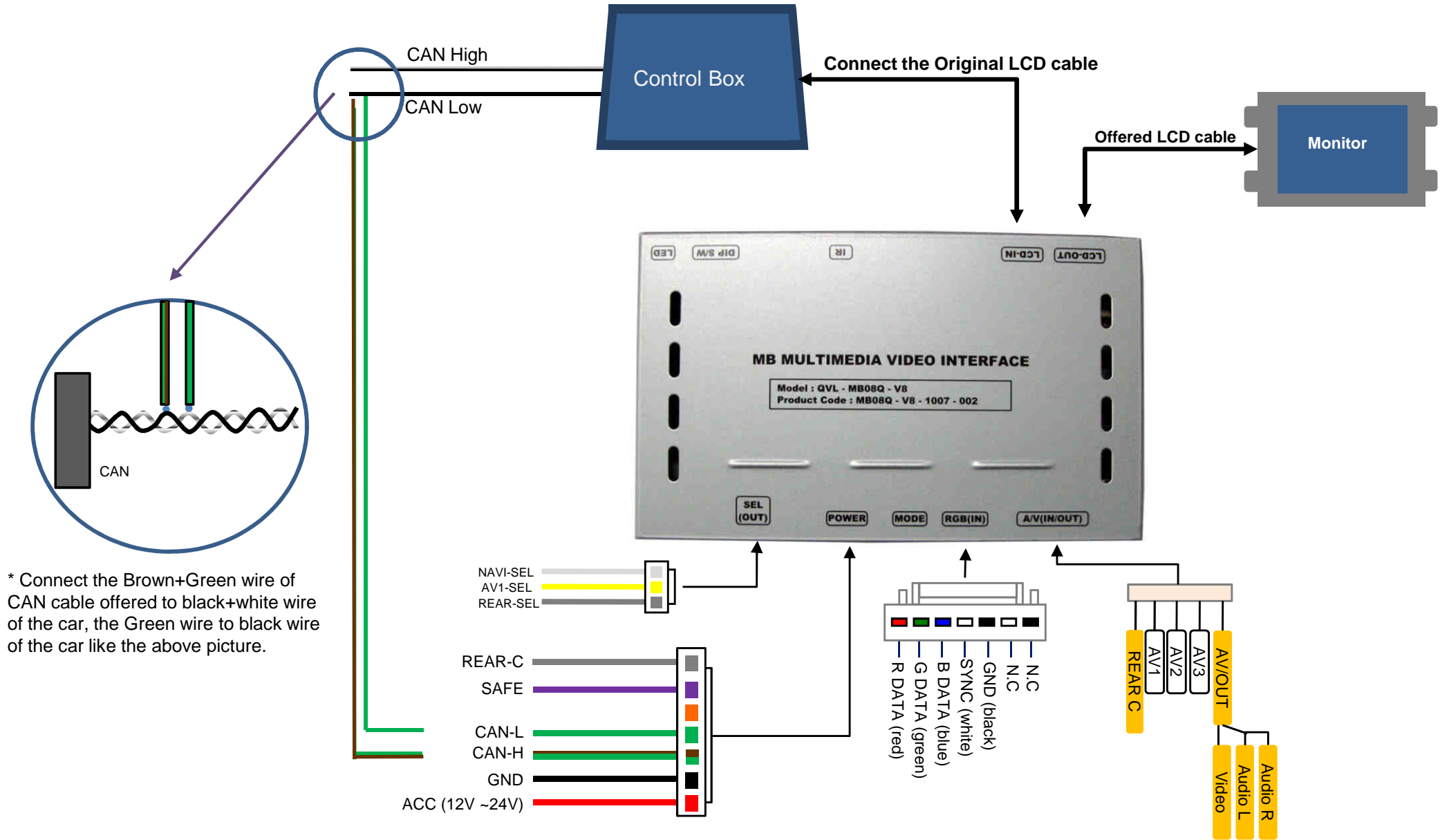


W204 7”, 5”(C-Class), W212 5.8”, 7” (E-Class) :

Switching Mode by Return Button of jog shuttle as shown left.

※ In W204 7 inch 's case, the button is written “Return”

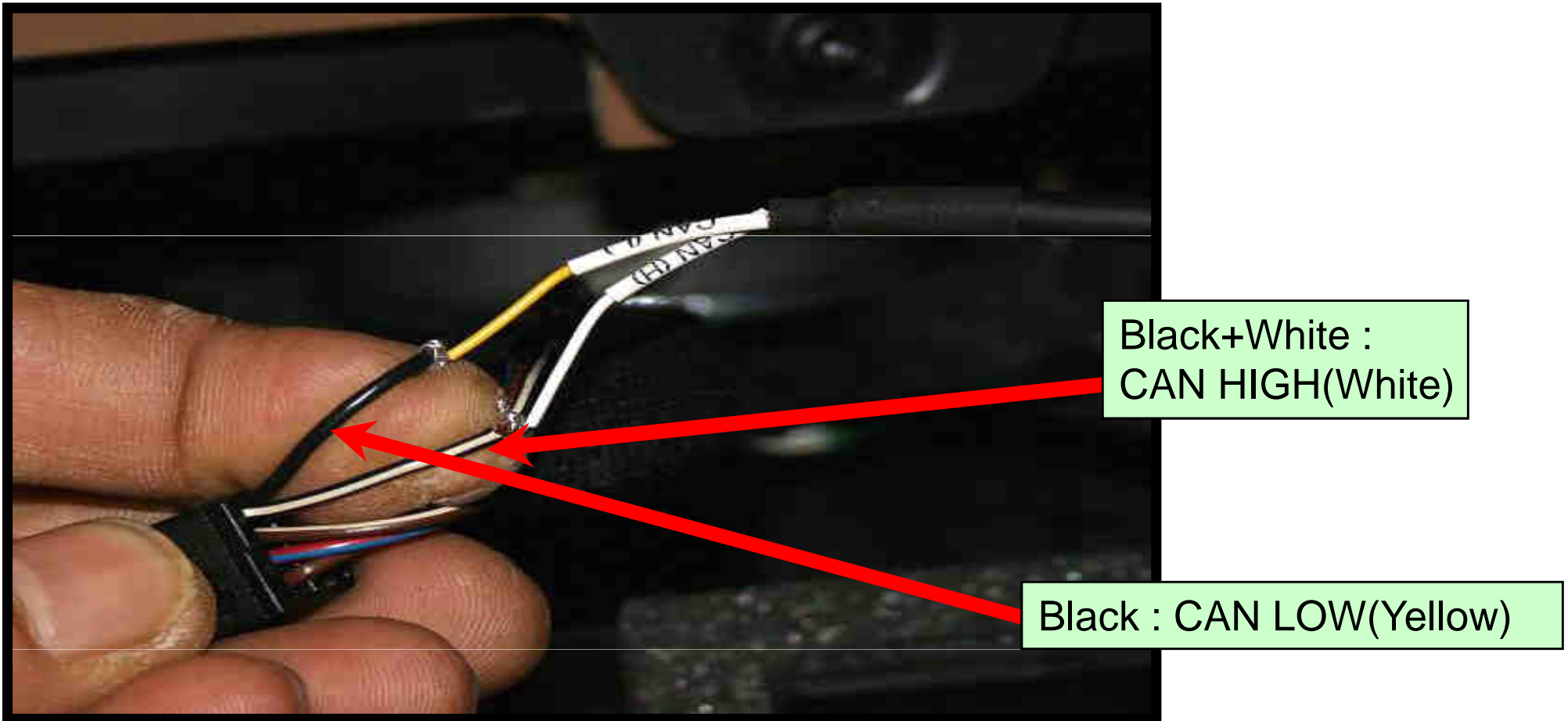
3.1 Installation diagram



3.2 Cautions on installation

- Ignition key should be taken off before starting installation, interface power connection must be the last step in installation.
- Power cable should be separated when connecting interface.
- Should be no any electronic devices or magnetic pole around installation place.
- All steps of installation should be done by well-trained specialist.
- Dismantling without manufacturer's permission can not be guaranteed, (No permission to break attached label on the board.)
- Kindly check all parts are in the box, when receiving the product, if anything missing, inform to the supplier or manufacturer.
- According to our sales policy, any problems caused by user's mistake, careless can not be guaranteed.

3.3 Connection CAN wire



•Connect the white wire of CAN cable offered to black+white wire of the car, the yellow wire to black wire of the car as shown above.

•You should connect the original CAN wire which is behind the monitor.

* The color of CAN wires coming from the car can be different by each countries that the car import or any other circumstances.

3.4 Installation (New S, C-class)

Connect LCD IN/OUT cable



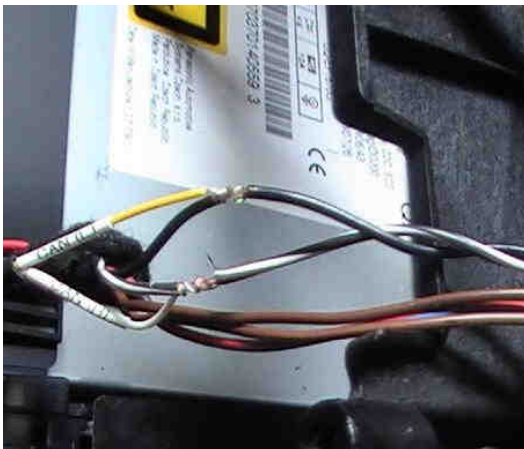
Connect to the monitor



After taking out Original LCD cable and connect to the offered LCD-In cable.
Connect offered LCD-OUT cable to the monitor.

Original cable

CAN wiring



Connect the original CAN wire to the offered CAN wire as shown left.

- Black+White=CAN HIGH (Green+Brown)
- Black=CAN LOW (Green)

4. Troubleshooting

Q. I can not switch A/V sources

A. Check IR or Ground cable connection. Check LED lamps in the interface, if it is not on, check power cable.

Q. All I got on the screen is black.

A. Check second LED lamp of the interface is on, if not, check A/V sources connected are working well. (Second lamp indicates AV sources connected works well.) Check interface connection has been done well.

Q. Displayed image color is not proper (too dim or not suitable color)

A. Try to select "INITIAL" in OSD menu, if it does not work, inform to manufacturer.)

Q. I can watch the rear camera on the screen

A. Set the DIP switch #7 as state "ON".

Q. Unwanted A/V mode is displayed. (A/V source switching order : OEM->RGB->AV1->AV2->AV3)

A. Check DIP Switch Setting.

Q. OEM image is not displayed.

A. Check interface's LCD In/Out cable connection. If the status keeps on, inform to manufacturer.

Q. Screen only displays white color.

A. Check LCD out cable is connected well, if this status keeps, inform to manufacturer.

Q. After setting PIP function, I got only half OEM image at the right in the screen.

A. This is not an error, just caused by user's setting mistake, user should set to "Split Screen" in the OEM menu.

Q. Rear CAM does not appear, when car is in reverse after CAN wiring.

A. Operate "FACTORY MODE" like left picture, then select "UTIL → Rear Select" If it is set as "LAMP", change it to "CAN" by remote or keypad.

※ LAMP : In case of connecting "Rear-C" wire of Power Cable to Rear Lamp in vehicle.

CAN : In case of detecting Rear Cam thru CAN signal. (CAN must be wired)

Q. After moving gear to "P" or "D" from "Reverse", I can't get navigation, but half PDC Image in the screen.

A. Once, you starts driving, the screen displays navigation right away, this is not an system error.